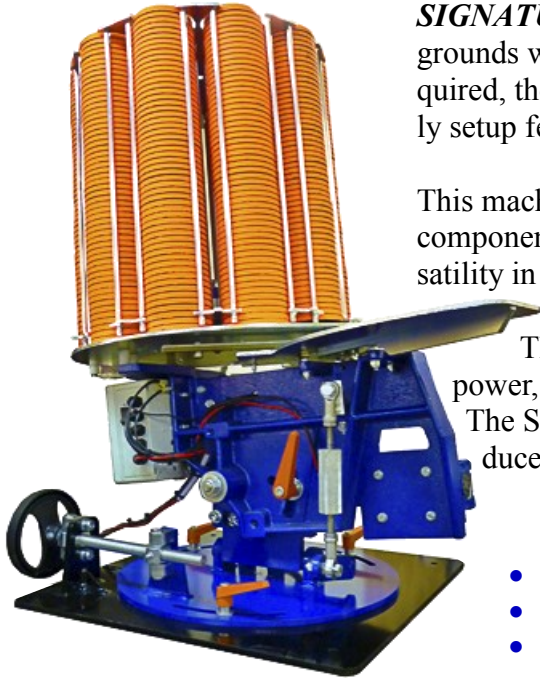




Signature Series Skeet

OUR RANGE OF SKEET MACHINES IS ONE OF THE LARGEST AVAILABLE IN THE USA AND COVERS SMALL CLUB TO LARGE-CAPACITY COMMERCIAL OPERATIONS

Using proven Promatic technology for low maintenance and high performance and with no hydraulics to leak, fail or freeze, all our traps provide years of faithful service. Our target throwing utilizes our direct-drive precision spring, motor and gearbox combination to give the most consistent targets possible.

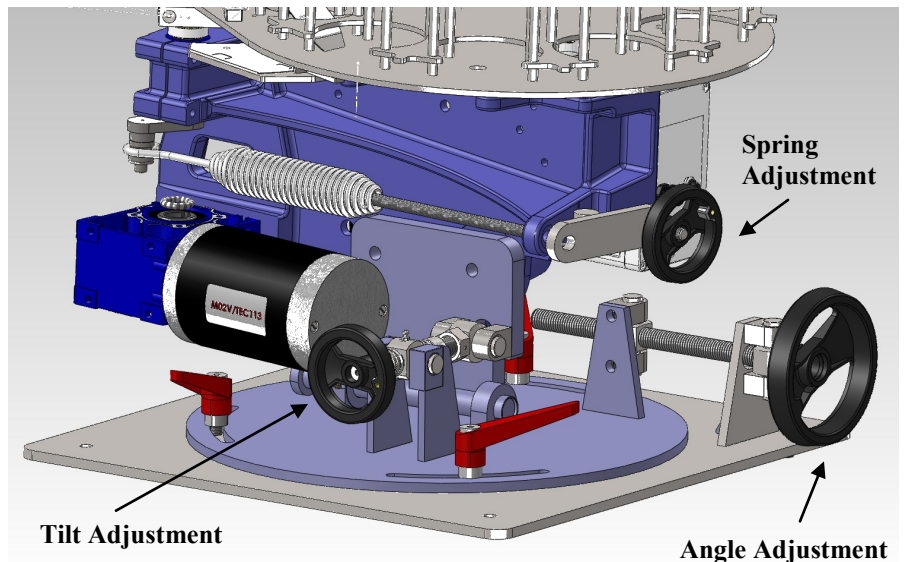
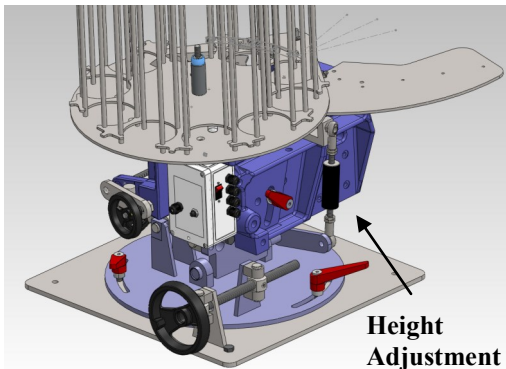


SIGNATURE SERIES SKEET — Designed for the large commercial grounds where heavy-duty construction with minimal maintenance is required, the *Signature Series* Skeet offers effortless operation and user friendly setup features.

This machine includes a heavy-duty cast aluminum frame and the finest components and alloys available to deliver unbeatable performance and versatility in a rugged heavy-duty package.

This set comes supplied ready to run on electricity or 12 volt DC power, so power shortages and generator breakdowns are not an issue. The Signature Series Skeet can be fitted with a 500 clay carousel to reduce downtime and lower filling costs.

- Up to 550 target capacity
- 10 column carousel
- Heavy duty cast aluminum mainframe
- Easy, no wrench adjustment for all height, tilt and angle settings.
- Solenoid release mechanism for instantaneous firing
- Includes transformer for electrical hook-up
- Lifetime warranty on the clutch and one-way bearing; 3 year warranty on all other



PROMATIC, INC.

WWW.PROMATIC.BIZ

FOR A DEALER NEAR YOU CALL

1-888-767-2529