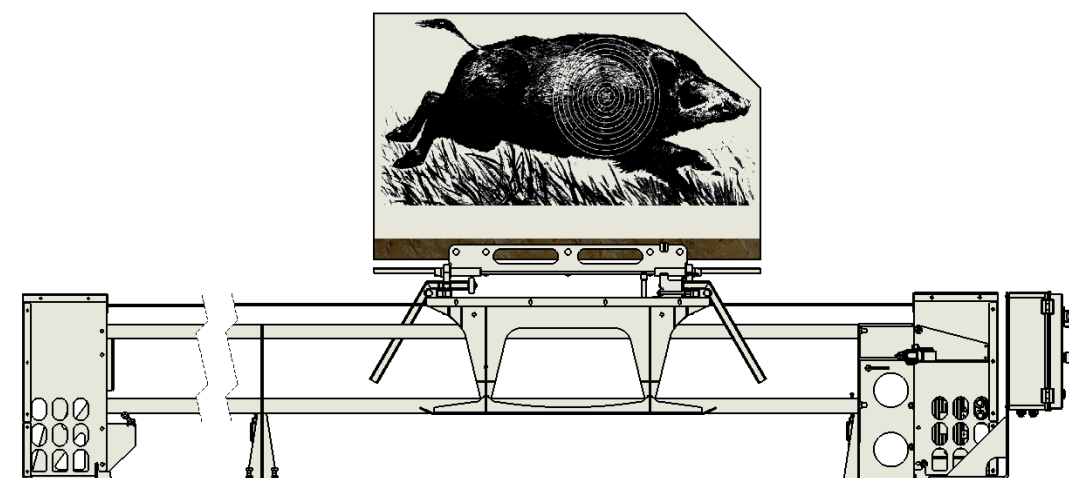


Promatic Running Target System Specification



A running target system for up to 50m ranges with twin (directional) target boards.
Auto turn-over at each end of run target always faces the correct direction.
Variable speed drive with upper and lower limits pre-set to ISSF Standards.

Speed range:	2.5 M/S – 5M/S
Track length:	22m or 40m
Max target size:	1320 x 762 (ISSF regulation target)
Target window:	10m (22m system) or 28m (40m system)
Voltage:	220-240v AC Single Phase
Current:	16A
Drive motor:	3 phase 2.2KW via inverter drive
Motor controller:	AC Variable Inverter drive
Motor protection:	Over-current protection within inverter Internal Circuit Breakers
Track protection:	Auto creep speed at power-up Dual event switching on high speed sections Auto motor shutdown at track ends or system jammed
Personnel protection:	Cable-pull safety system providing a safety zone around the track and operating area.
General:	6mm stainless steel drive wire to carriage Full bearing carriage conveyance system Galvanised track assembled from 2m sections

PROMATIC, INC.

WWW.PROMATIC.BIZ

FOR A DEALER NEAR YOU CALL

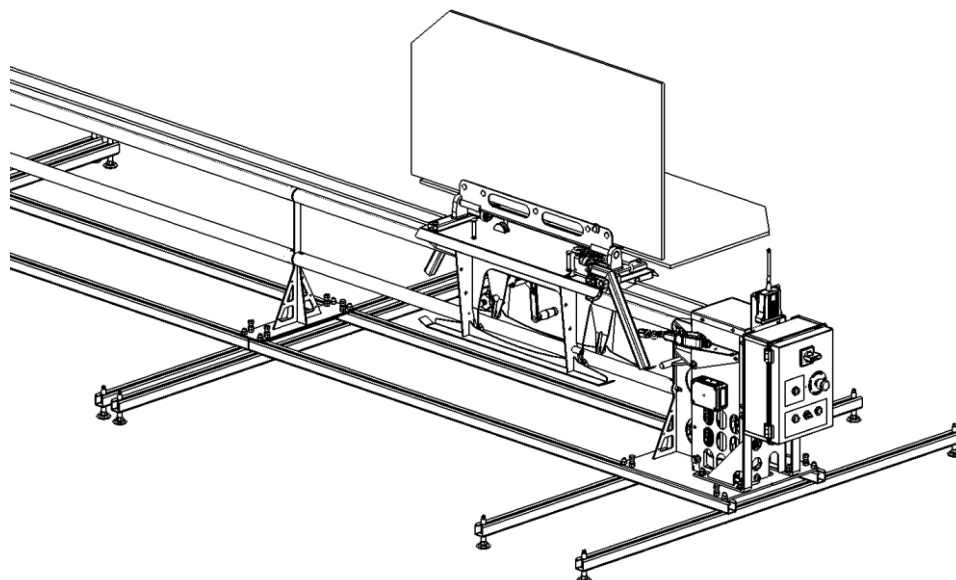
1-888-767-2529



www.promatic.biz

Promatic Running Target System Specification

Portable Demountable Version



A running target system for up to 50m ranges with twin (directional) target boards. Auto turn-over at each end of run target always faces the correct direction. Variable speed drive with upper and lower limits pre-set to ISSF Standards.

System is mounted on a unistrut based carrier with 2m wide bracing cross members and adjustable feet to allow temporary or semi-permanent installation on partly uneven surfaces.

Supplied with pegs and boards for mounting outdoors at events (note additional packing / leveling may be required on severely uneven ground)

PROMATIC, INC.
WWW.PROMATIC.BIZ

FOR A DEALER NEAR YOU CALL
1-888-767-2529



www.promatic.biz