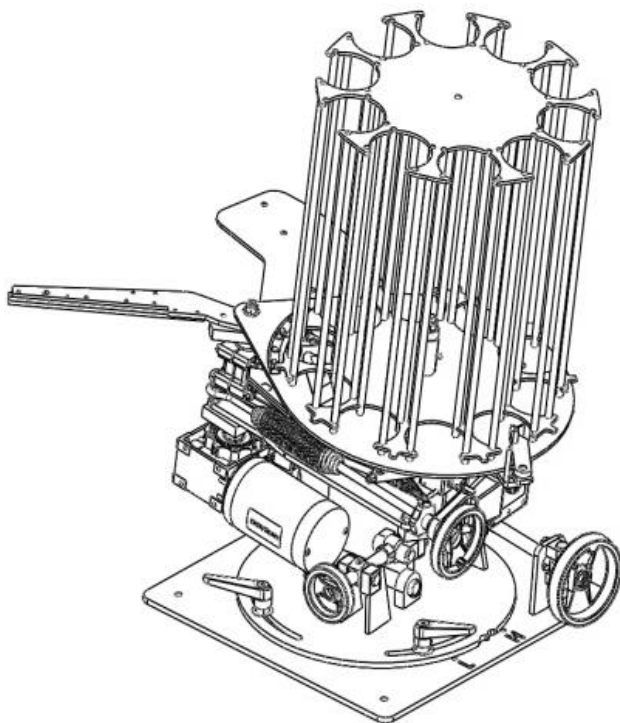




## Signature Skeet



## Operating Instructions



These operating instructions to be read in conjunction with the Owners Manual.



## Introduction.

The Signature Skeet is an easily adjusted trap that if properly maintained will give many years of trouble free service. Machine set up has been made as simple as possible. Once the machine has been set, all the important adjustments that make a Skeet machine can be made accurately and quickly without the need for tools. All the necessary adjustments for the rotation, elevation and tilt are made with the hand-wheels and then locked in position using the locking levers.

## SAFETY INSTRUCTIONS



**As with all Clay launching apparatus, this machine can be dangerous if used carelessly. For the safety of all operators of this machine, it is imperative that all operators have read and understand all the safety instructions before proceeding further. Ignoring these instructions could result in severe injury or death. Never allow untrained personnel to approach the machine for any reason whatsoever.**

- 1. Before connecting this machine to any power source or switching it on, the user must read these operating instructions carefully.**
- 2. Clay target launchers can be dangerous and must be treated with great care at all times to avoid accidents. You must treat a clay target launcher with the same respect that you would treat a loaded gun.**



These operating instructions to be read in conjunction with the Owners Manual.

3. **Never place any bodily part into the path of any mechanical piece whilst any machine is in motion or likely to be so.**
4. **The machine must be properly installed and securely fixed to its mounting so to ensure it is stable and cannot move.**
5. **Assume at all times that a clay target launcher is cocked or loaded and so ready to fire and treat it accordingly.**
6. **Never approach any machine from the front or sides. Approach only from behind.**
7. **ALWAYS disarm ALL machines before carrying out reloading or adjustment.**
8. **Reloading with clays should be carried out from the rear of the machines.**
9. **Re-arm/cock machines only when all personnel are either behind or at a safe distance away.**
10. **Ensure that the machine is sited in a way that will prevent people from being struck by either the clay in flight, or broken pieces of clay being ejected from the machine.**
11. **Never allow members of the public or untrained personnel to approach or touch the machine.**
12. **Be aware of the fall zone of both broken and unbroken clays and that changes in wind direction will affect this.**
13. **Never move a cocked/loaded machine. Disarm the machine and make safe. Warning: Never move an armed/loaded machine. Always disarm.**
14. **It is advisable to remove the main throwing spring before Transport (Mandatory for Hawk and Superhawk).**







These operating instructions to be read in conjunction with the Owners Manual.

15. Removal of, or tensioning of the spring should be carried out only in the disarmed condition.
16. Never place yourself or any bodily part into the path of the casting arm or the clay when the machine is operating or likely to be.
17. In the rare event that the release of the throwing arm is blocked or jammed by a piece of clay, or, in the event of immovable blockage, release the spring by winding the adjusting nut off, whilst keeping all bodily parts back and away from the spring as it jumps towards the front of the machine upon release.
18. Whilst in the vicinity of the machine, think very carefully about your actions and the result they may have before proceeding further



**Never operate the machine from within the red danger zone**

## **DISARMING THE SIGNATURE SKEET TRAP**

To disarm the machine push the   ARM/DISARM toggle switch upwards to the   DISARM position and immediately release before the machine rearms.

Turn the ON/OFF rocker switch to the OFF position and disconnect the battery/power source.



These operating instructions to be read in conjunction with the Owners Manual.

# Index.

## 1. The parts of the machine.

## 2. Machine setup

- The knife edge system
- The back-rail
- The carousel
- Loading the clays

## 3. Machine adjustments

- Adjusting the mainspring
- Adjusting the rotation
- Adjusting the elevation
- Adjusting the tilt
- Locking down

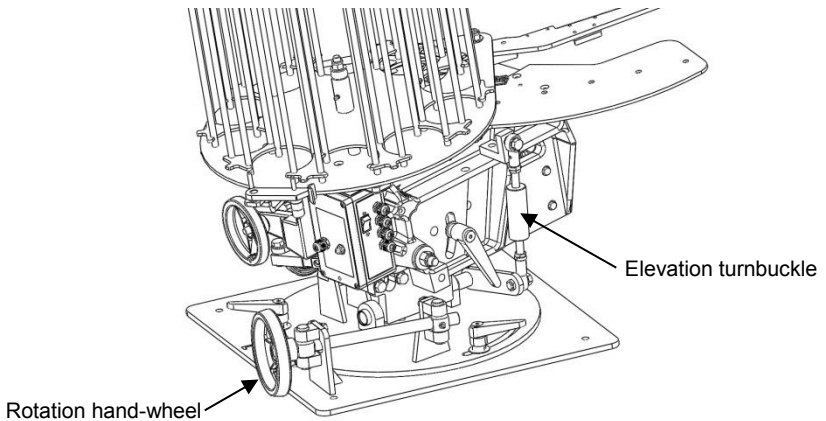
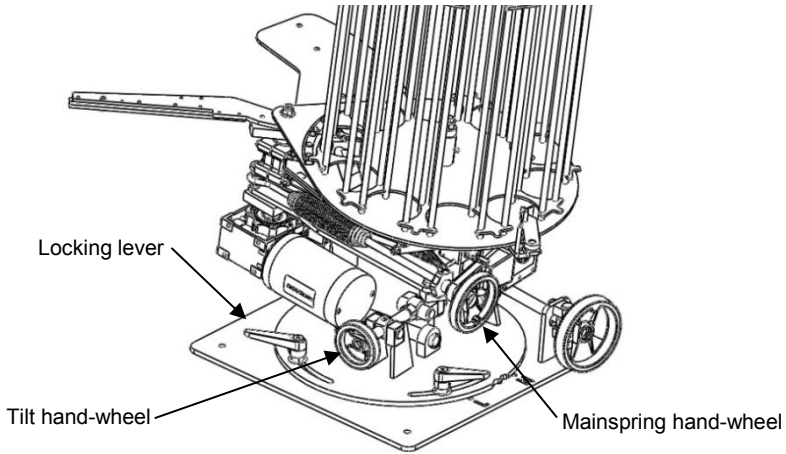
## 4. Firing the Machine



These operating instructions to be read in conjunction with the Owners Manual.

## 1. The parts of the machine

This section illustrates the parts of the machine that you should be familiar in order to make clay trajectory adjustments.

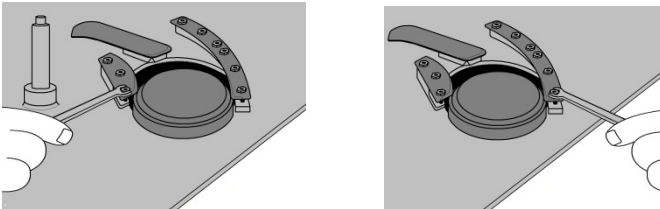


These operating instructions to be read in conjunction with the Owners Manual.

## 2. Machine setup

- **The knife edge system**

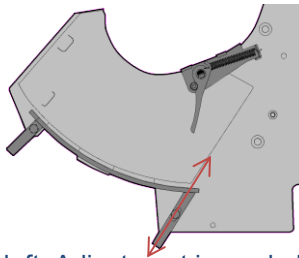
The correct setting of the knife edges will help to ensure trouble free operation of the trap. Place a clay in one of the pockets of the carousel and rotate the carousel so that the clay just passes through the knife-edges. The clay should pass underneath the blades with a clearance of around 0.5mm. Using a 10mm spanner,



check and adjust the height of the knife-edges if required by moving the nuts on the threaded stud on the leading edge of the knife edge block. Make allowances for clay thickness variation by checking several clays, ideally from different boxes.

- **The Back-rail**

The back-rail should need no adjustment as supplied from the factory. However, adjustment can be made to modify the clays



flight right or left. Adjustment is made by slackening the bolt at the front end of the back-rail and moving the back-rail as necessary. By moving the rail forward, the clays trajectory will be moved to the left. Moving the rail backwards alters the flight to the right.



These operating instructions to be read in conjunction with the Owners Manual.

- **The carousel**

If it is necessary to fit the carousel, first check that the rear pusher arm has been rotated clear of the top plate. Place the carousel over the centre shaft in the top plate. Ensure the brass washer is present at the base of the shaft and greased. Fit the carousel blue spacer and 19mm nylock nut and tighten just enough that the carousel does not spin freely when it turns, there needs to be a small amount of friction when the carousel rotates.

The carousel does not need to be set in any particular position, it will automatically time itself. The carousel is now



ready to be filled with clays.

- **Loading the clays.**

Your Signature Skeet machine will be either a UK or US designated trap. Clay sizes differ between the two, please ensure you load the correct size of clay into your machine. If the knife edges have been correctly set, the carousel can be loaded. Clays by design are very brittle and need careful handling. Check each batch for cracks and chips. Load the carousel evenly rotating the pockets as you go until the carousel is full.

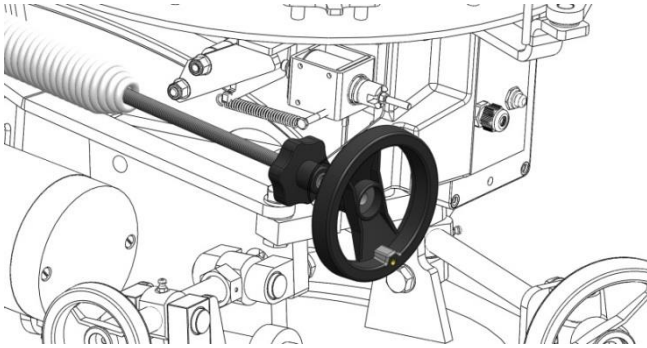


These operating instructions to be read in conjunction with the Owners Manual.



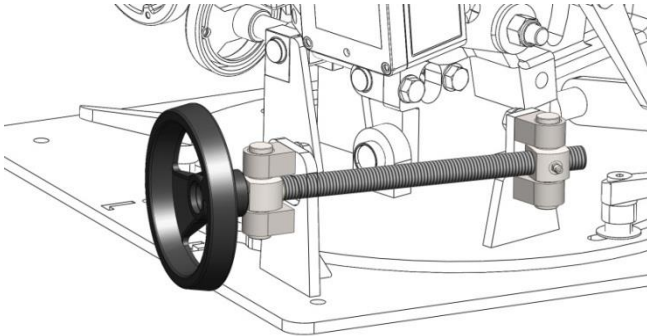
### 3. The Machine adjustments

- **Adjusting the mainspring**



Slacken the smaller of the two hand-wheels on the main spring. Turn the larger hand-wheel as necessary to adjust the tension in the mainspring. This will affect the speed and distance that the clay travels. Lock down the mainspring by retightening the smaller hand-wheel.

- **Adjusting the rotation**

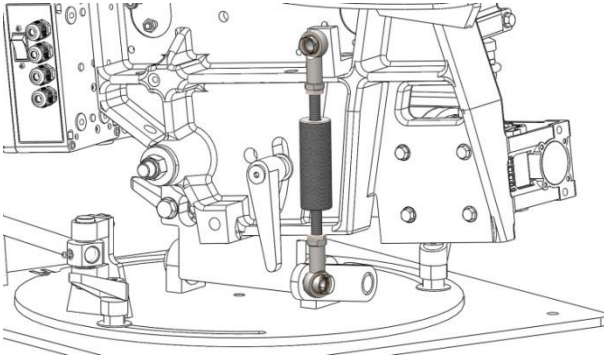


Turn the large hand-wheel at the rear of the machine to change the direction of flight. Approximate angles are marked on the base plate, 'H' denotes the High house, 'L' is the Low house. This will be set approximately at the factory.



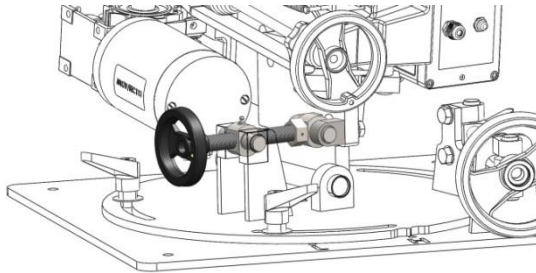
These operating instructions to be read in conjunction with the Owners Manual.

- **Adjusting the elevation**



Turn the vertical turnbuckle located towards the front right hand side of the machine. Turning it anti-clockwise will increase the elevation, clockwise will reduce it.

- **Adjusting the tilt**

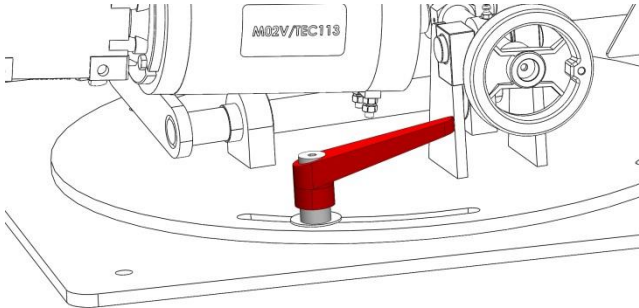


Turn the small hand-wheel located to the left of the machine. Clockwise will tilt the machine to the right, anti-clockwise, to the left.



These operating instructions to be read in conjunction with the Owners Manual.

- **Locking down**



In all cases, the orange locking levers can simply be turned enough just to clamp all positions securely. There are three clamps to fix the rotation and a single, larger clamp to fix the elevation. Adjust the operation of the clamp so only a half turn is necessary to affect a good clamp. Do this by pressing the button on the top of the clamp to release the handle from the thread. The handle will move freely and so can be repositioned on the thread. By doing this repeatedly, adjustment can be made so that minimal rotation of the lever will clamp the machine. Once set, there should be no further need for adjustment.

#### **4. Firing the Machine**

- Switch the ARM/DISARM to the  ON position. The machine will arm itself and is now ready to fire.
- Test fire the machine using the  fire button on the machine or the remote command cable. This will launch a clay. If successful the machine is ready for use. The machine will now remain armed and ready to fire until disarmed.



These operating instructions to be read in conjunction with the Owners Manual.



**PROMATIC INTERNATIONAL LTD.**

**Station Works,  
Hooton,  
South Wirral  
CH66 7NF,  
England.**

Tel: +44 (0) 151 327 2220 (General)  
+44 (0) 1407 860800 (Sales)  
Fax: +44 (0) 151 3277075

E-mail [sales@promatic.co.uk](mailto:sales@promatic.co.uk)

**Website:** [www.promatic.co.uk](http://www.promatic.co.uk)

**PROMATIC INC.**

**801 MID AMERICA DRIVE**

**PLATTSBURG, MO 64477**

**USA**

Toll Free: 888.767.2529  
Fax: 816.539.0257

E-mail: [sales@promatic.biz](mailto:sales@promatic.biz)

**Website:** [www.promatic.biz](http://www.promatic.biz)



These operating instructions to be read in conjunction with the Owners Manual.

Signature Skeet v1.0 January 2012